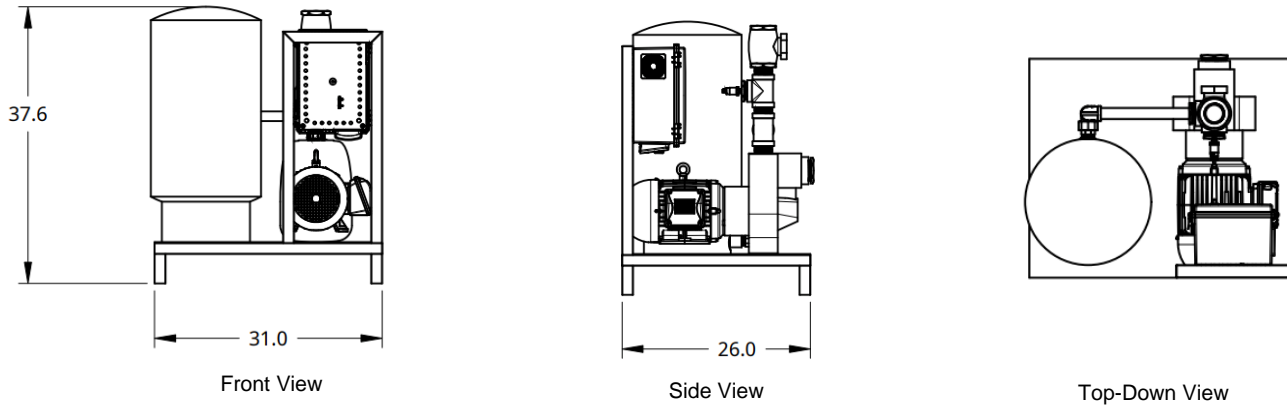


ShockWater CarWash Systems
Delivery Pump & Processed Water Storage Tank Package



Package Description:

Two (2) 500 Gallon Cone Bottom Storage Tanks capture the ShockWater ReGenerated Water. The Pressure Pump Skid delivers a constant pressure to the various water demand equipment to the end of the carwash line, even with the fluctuating flow needs.

Package Specifications:

5 HP self-priming pump –230/480 VAC 3 Phase ODP motor with cast-iron, self-priming centrifugal pump housing, 2.5" FNPT suction, 2" FNPT discharge, stainless steel impeller, with heavy duty ceramic seals.

Variable Frequency Drive - high efficiency, reliable drive with integrated controller to maintain desired system pressure. 4 – 20 mA signal feedback for control.

Pressure tank / Pressure Transducer

Two (2) Cone Bottom Storage Tanks

Performance Data:

Delivers 102 gpm at 50 psi.

500 Gallon Cone Bottom Tank:

Quantity Needed Based on Wash Volume / Standard is Two (2)

